

IMF85-PL



2021+ Ford Bronco Installation Instructions Also online www.rallyarmor.com

Does not fit Bronco Sport or Raptor



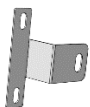

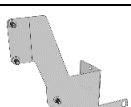






Manufacturer warranty covers material defects on new, never installed parts. Once installed, all mud flap replacement part costs are the responsibility of the vehicle owner. Caution against blind spots during parking. Avoid curbs and excessive compression to the flaps. Check stock and aftermarket wheel/suspension clearances.

INSTALLATION QUESTION? FOR REPLACEMENT PART QUOTES, SEND FLAP RECEIPT OR PHOTO → www.rallyarmor.com/support

Recommended Tools Low-profile offset, ratcheting, flat & Phillips screwdrivers, 10mm & 11mm wrenches, pick.

ONLY install on even surface using hand tools, not powered tools. AVOID OVERTIGHTENING HARDWARE.

ABOUT OUR STANDARD IN MUD FLAPS Polyurethane is a high grade plastic that may feature minor surface layer marks. These are visual variations that don't affect flap construction or performance. Most matte away as the material ages over time.









MF85 KIT CONTENTS <i>CONFIRM ALL PARTS AND QUANTITIES BEFORE INSTALLATION</i>				
MUD FLAP KIT PN:	MF85	SEE PAGE 8 DRAWINGS		
		PART DESCRIPTION	QUANTITY	
	MF85-LF-TOP	LEFT FRONT TOP	1	
	MF85-LF-BOT	LEFT FRONT BOTTOM	1	
	MF85-RF-TOP	RIGHT FRONT TOP	1	
	MF85-RF-BOT	RIGHT FRONT BOTTOM	1	
	MF85-LR-TOP	LEFT REAR TOP	1	
	MF85-LR-BOT	LEFT REAR BOTTOM	1	
	MF85-RR-TOP	RIGHT REAR TOP	1	
	MF85-RR-BOT	RIGHT REAR BOTTOM	1	
BRACKET KIT PN:	BMF85	SEE PG 7		
	BMF85-FRT <i>PN stamped</i>		BRACKET FRONT	2
	BMF85-PB-LR <i>PN stamped</i>		BRACKET LEFT REAR	1
	BMF85-PB-RR <i>PN stamped</i>		BRACKET RIGHT REAR	1
	BMF85-PB-LR2 <i>PN stamped</i>		BRACKET LEFT REAR 2	1
	BMF85-PB-RR2 <i>PN stamped</i>		BRACKET RIGHT REAR 2	1
HARDWARE KIT PN:	HMF85-PL	SEE PG 7		
	.75SP		SPACER	4
	1SS		SCREW	4
	2SS		LONG SCREW	4
	BLKNUT		NUT	20

IMF85-PL

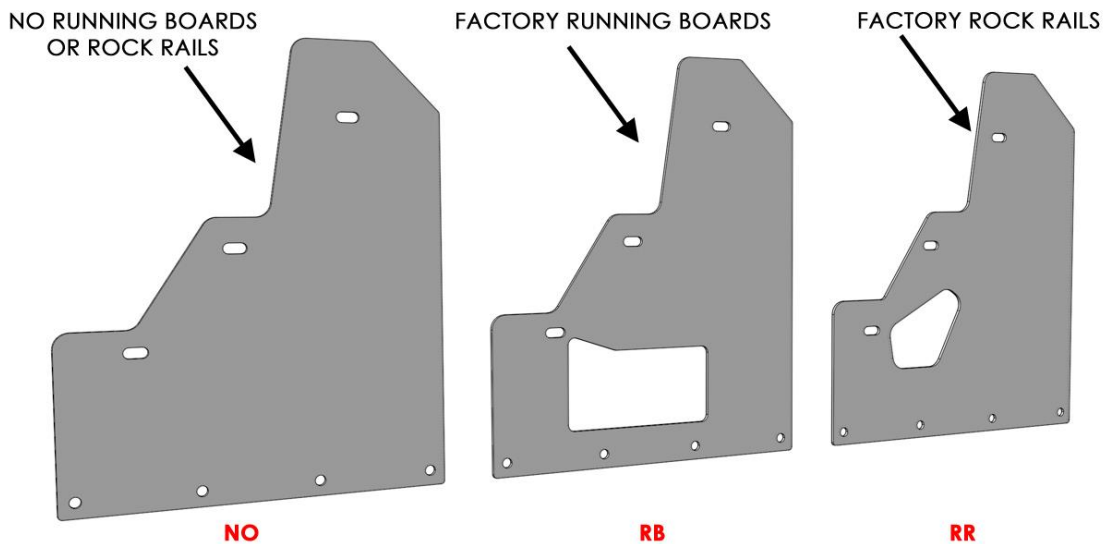
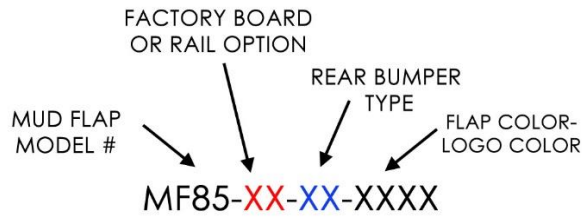


2021+ Ford Bronco Installation Instructions Also online www.rallyarmor.com

Does not fit Bronco Sport or Raptor

HXBLT		BOLT	20
1MCHSS		MACHINE SCREW	6
POLCLP		CLIP	8
SMF29-3		FOAM SPACER	2
SMF85-1		BRACKET SPACER	2
SMF85-2		BRACKET SPACER 2	2
SMWASH		WASHER	66
SSLNUT		LOCK NUT	12

Rally Armor mud flap kits are specific to Bronco factory equipped options and rear bumper types. Factory equipped running boards, rock rails, not equipped with boards or rails and whether plastic or steel rear bumper is as shown in the part #.

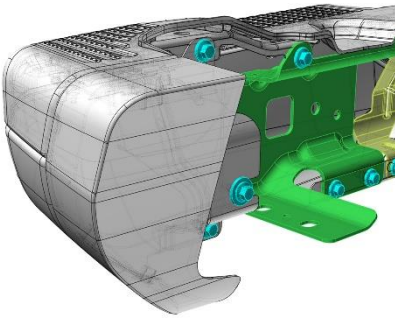


IMF85-PL

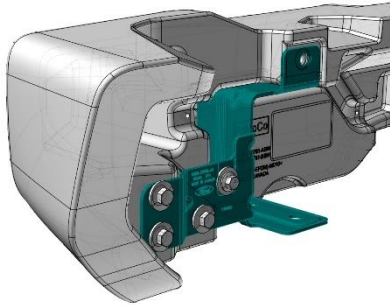


2021+ Ford Bronco Installation Instructions Also online www.rallyarmor.com

Does not fit Bronco Sport or Raptor

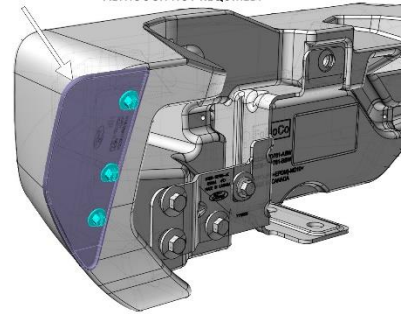


STEEL BUMPER = **ST**



PLASTIC BUMPER = **PL**

BUMPER END CAP CAN BE REMOVED & INSTALLED THROUGH MUD FLAP ALTHOUGH NOT REQUIRED.



PLASTIC BUMPER = **PL**

FRONT MUD FLAP Access interior wheel well by turning steering wheel towards the installation side.

Bracket/Hardware 1 FLAP → 1 x BMF85-FRT; 2 x .75SP; 2 x 1SS; 2 x 2SS; 5 x BLKNUT; 5 x HXBLT; 4 x POLCLP; 1 x SMF29-3; 14 x SMWASH

IMAGE A If equipped, temporarily uninstall crash bar to gain access to inner wheel well.

IMAGE B Remove liner fasteners 1 - 3.

IMAGE C To access mount 4, located behind liner cover, create hole with awl or pick.

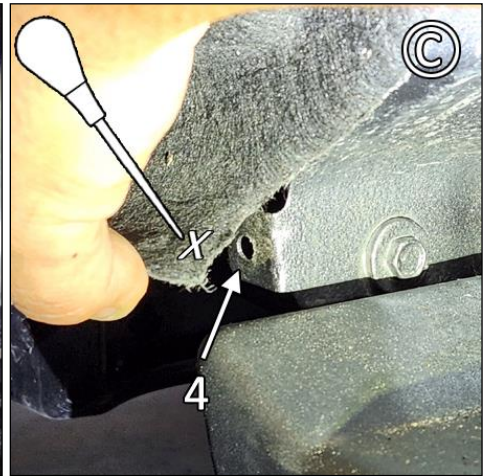
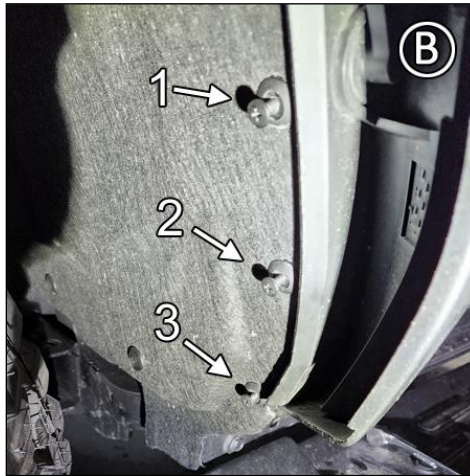
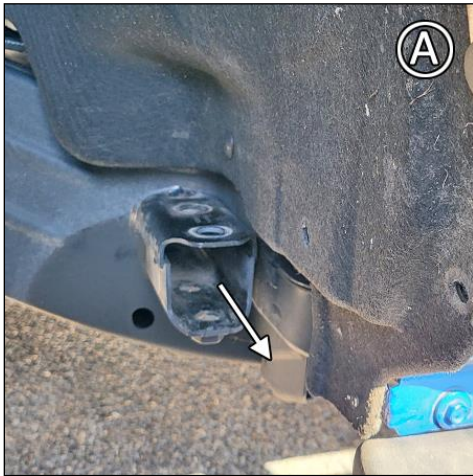


IMAGE D Install POLCLP onto mounts 1 - 4. Replace liner.

IMAGE E Mount SMWASH and 1SS into BMF85-FRT bracket mounts 1 and 2.

IMAGE F Position bottom flap (with logo) MF85-LF/RF-BOT over top MF85-LF/RF-TOP mounting holes. Assemble using SMWASH and HXBLT on logo-side and SMWASH and BLKNUT on tire-side.

IMF85-PL



2021+ Ford Bronco Installation Instructions Also online www.rallyarmor.com

Does not fit Bronco Sport or Raptor

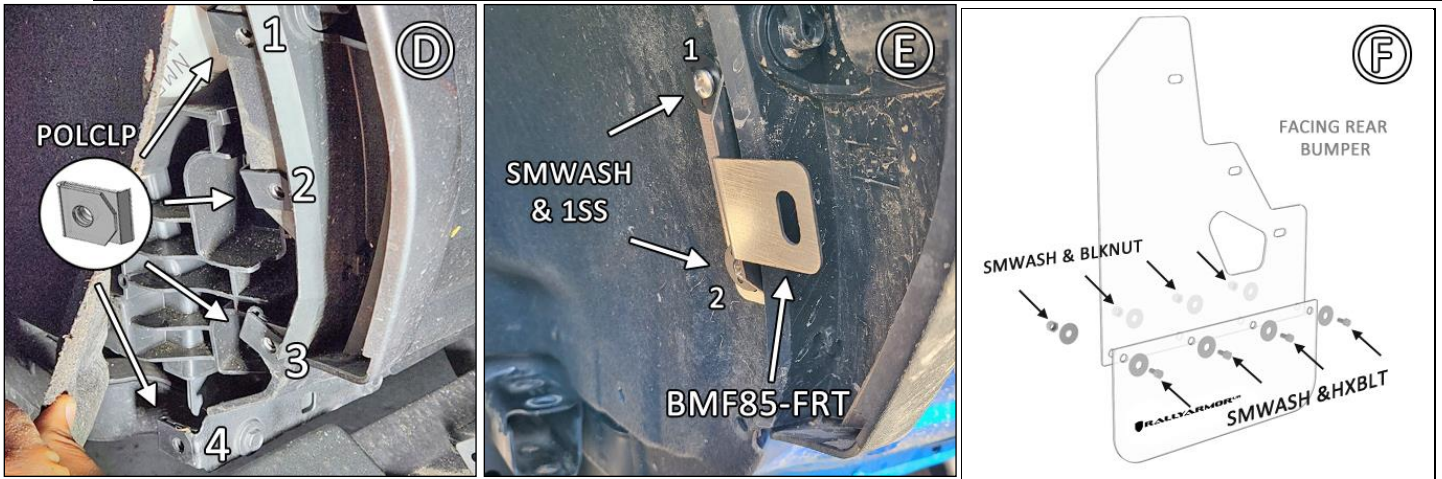


IMAGE G Place SMWASH and HXBLT through flap and BMF85-FRT mount 6. Use SMWASH and BLKNUT to tighten tire-side mount 6. Place .75SP BEHIND flap mounts 3 and 4. SMWASH and 2SS mounts logo-side into 3 and 4.

IMAGE H Ensure flap is parallel to ground. Adjust preferred width before tightening washers flush against flap. Do not overtighten. **Optional** - Adhere SMF29-3 on contact points of factory rock rail or factory running board.

IMAGE I If removed, reinstall crash bar.



REAR MUD FLAP

Bracket/Hardware 1 FLAP → 1 x BMF85-PB-LR/RR; 1 x BMF85-PB-LR2/RR2; 3 x 1MCHSS; 5 x BLKNUT; 5 x HXBLT; 1 x SMF85-1; 1 x SMF85-2; 19 x SMWASH; 3 x SSLNUT

IMAGE J Temporarily remove 2 factory bumper bolts.

IMAGE K Adhere SMF85-1 and SMF85-2 to BMF85-PB-LR/RR.

IMAGE L Assemble BMF85-PB-LR/RR to BMF85-PB-LR2/RR2 using SMWASH and 1MCHSS. Loosely fasten with SMWASH and SSLNUT.

IMF85-PL



2021+ Ford Bronco Installation Instructions Also online www.rallyarmor.com

Does not fit Bronco Sport or Raptor

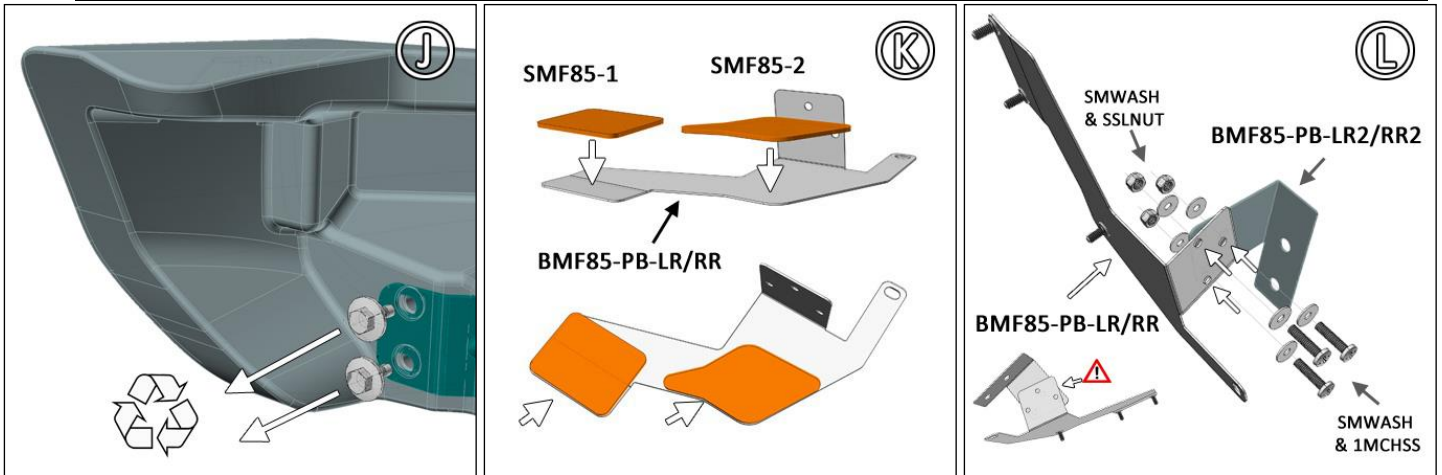
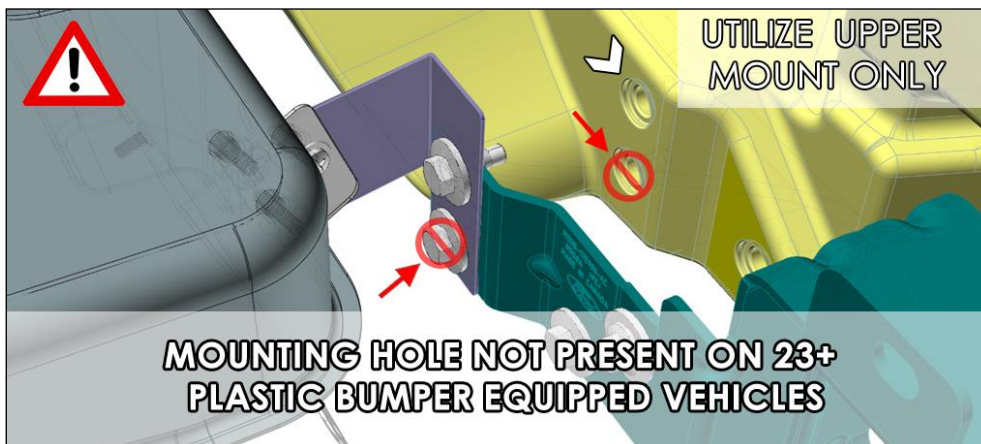
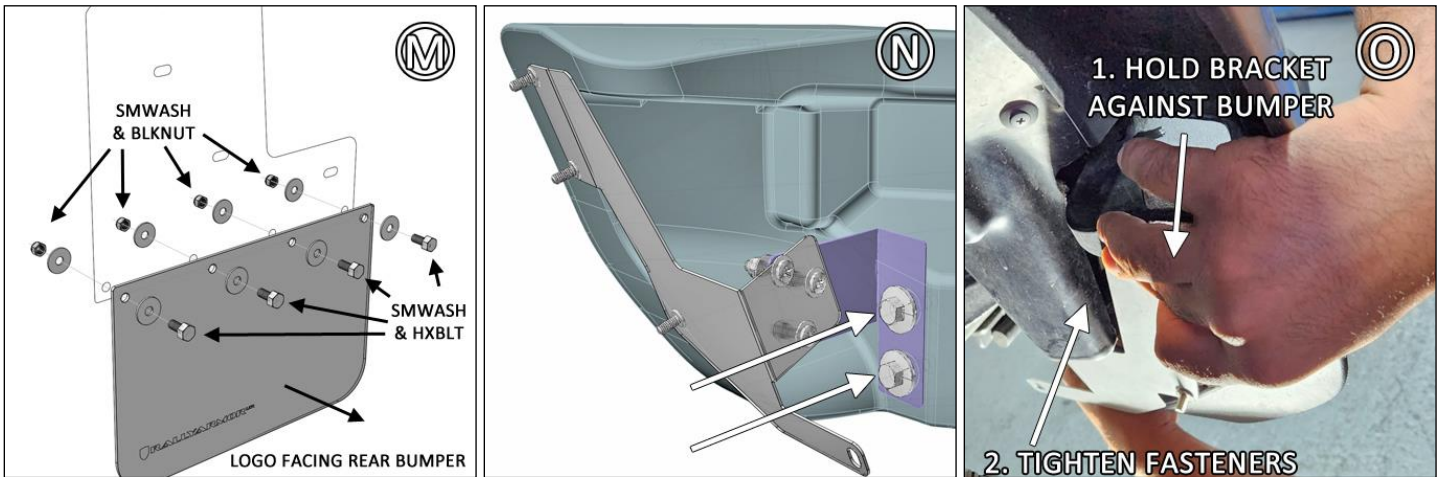


IMAGE M Position bottom flap (with logo)MF85-LR/RR-BOT over top flap MF85-LR/RR-TOP mounting holes. Assemble using SMWASH and HXBLT on logo-side and SMWASH and BLKNUT on tire-side.

IMAGE N Place assembled bracket against bumper mounts, then reinstall factory bolts through BMF85-PB-LR2/RR2. 2023+ Vehicles not equipped with lower mounting point. Use upper point only.

IMAGE O To tighten hardware, hold bracket against bumper. Bracket should seat flush against bumper cap.



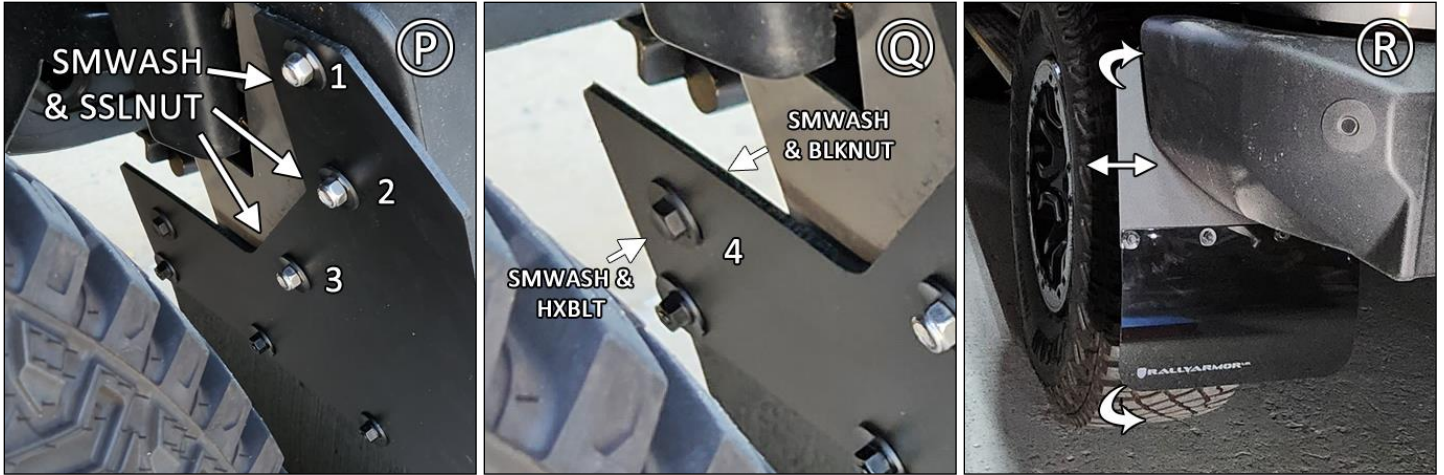
IMF85-PL



2021+ Ford Bronco Installation Instructions Also online www.rallyarmor.com

Does not fit Bronco Sport or Raptor

- IMAGE P** Align logo-side of flap facing rear bumper, against mounting points. Install SMWASH and SSLNUT through mounts 1 - 3.
- IMAGE Q** Install SMWASH and HXBLT through flap, bracket mount 4. Fasten using SMWASH and BLKNUT.
- IMAGE R** Ensure flap is parallel to ground. Adjust Figure L bracket mounts and flap width before tightening washers flush against flap.



IMF85-PL



2021+ Ford Bronco Installation Instructions Also online www.rallyarmor.com

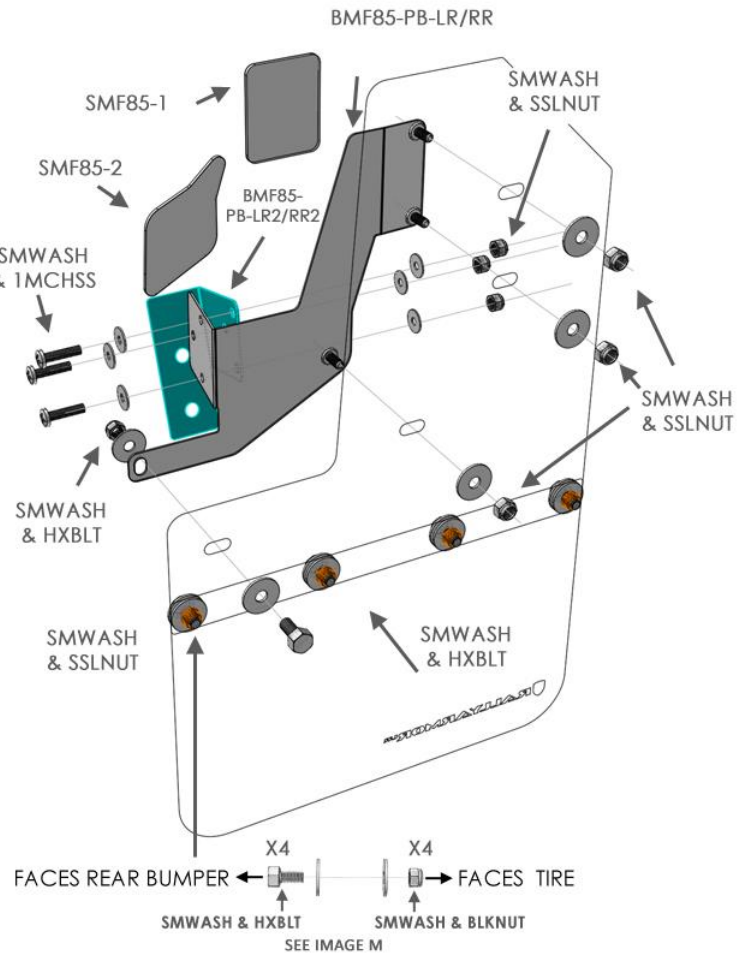
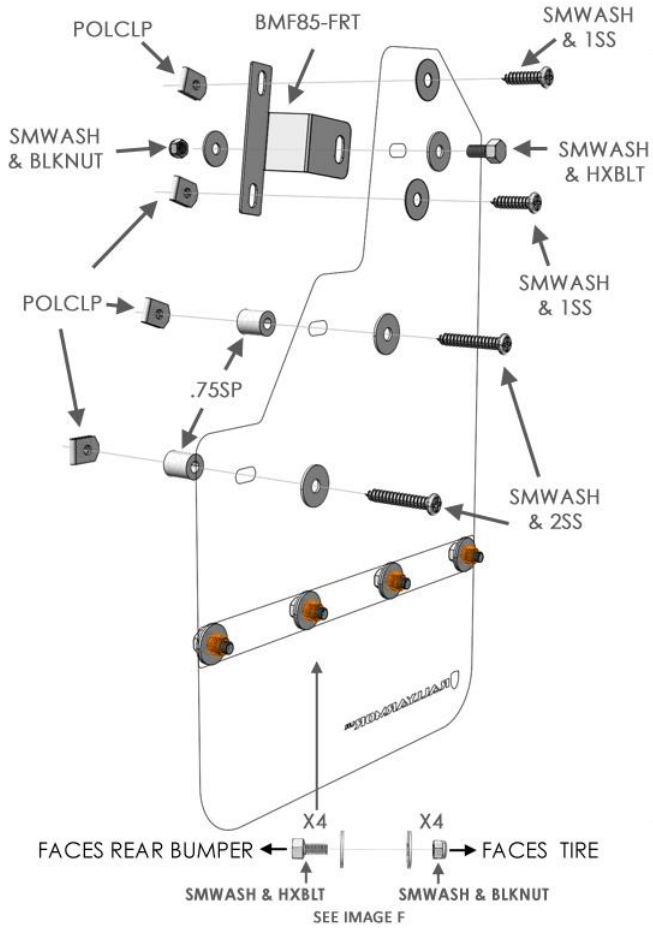
Does not fit Bronco Sport or Raptor

MOUNTING DIAGRAM

- MF85-NO-PL
- MF85-RB-PL
- MF85-RR-PL

FRONT

REAR



IMF85-PL



2021+ Ford Bronco Installation Instructions Also online www.rallyarmor.com

Does not fit Bronco Sport or Raptor

